



EUPHORIA

EUPHORIA : EW5

Dual 4 Ω Subwoofer

USER MANUAL

Installation Instructions | Owners Manual

Due to continuous improvement of the product, specifications are subject to change without notice.

Introduction

Congratulations on your purchase of a DB Drive state-of-the-art subwoofer. Your selection of a DB Drive car audio product indicates a true appreciation of fine musical reproduction. Whether adding to an existing system or including your DB Drive subwoofer in a new system, you are certain to notice immediate performance benefits.

Keep Your Sales Receipt

Take this time to attach your sales receipt to the manual and put in a safe place. In case of any unforeseen reason this product may need warranty service, your receipt will be necessary to establish purchase date.

Recommendation

A power subwoofer's performance is only as good as its installation. Proper installation will maximize the system's overall performance. It is recommended that you have our product installed by an authorized DB Drive retailer. However, if you decide to install it yourself, please carefully read through this manual and take your time to do a quality installation.

IMPORTANT!

Before making any connections, disconnect the car's battery until the installation is completed to avoid possible damage to the electrical system.

WARNING!

Exposure to high power sound system can cause hearing loss or damage. Listening to your system at loud levels while driving will impair your ability to hear traffic sounds and emergency vehicles. Use common sense when listening to your system.

Serial # _____ Model # _____

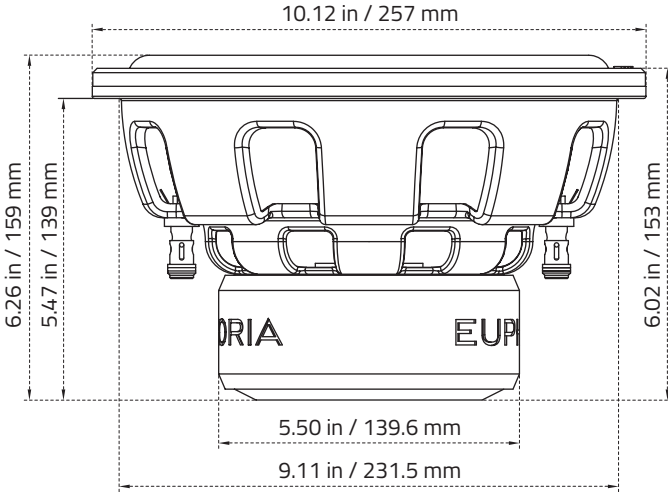
PRODUCT SPECIFICATIONS

TS Specs

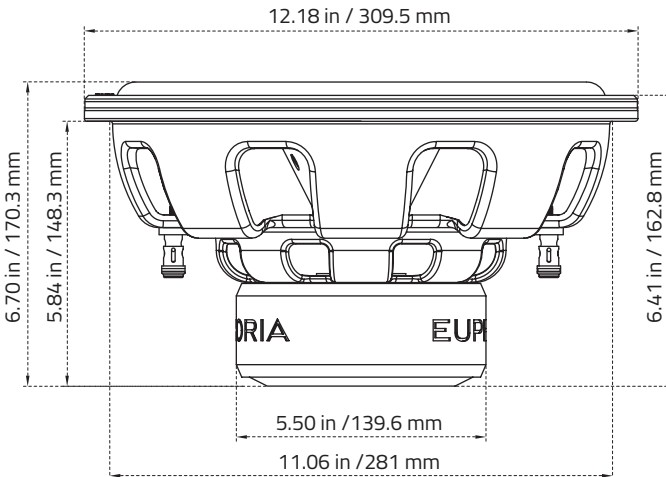
		EW5 10D4	EW5 12D4
Sensitivity 1W/1m)	SPL	88 dB	89 dB
DC Resistance	Re	3.34 Ω x 2	3.35 Ω x 2
Inductance	Le	1.256mH	1.411mH
Free Air Resonance	Fo	34.025 Hz	34.820 Hz
Equivalent Stiffness	Vas	39.885 Ltr	64.704 Ltr
Mechanical Q	Qms	12.235	11.725
Electrical Q	Qes	0.388	0.507
Total Q	Qts	0.376	0.486
Moving Mass	Mms	93.450 g	121.455 g
Motor Force	BL	18.546 TM	18.736 TM
Cone Surface Area	Sd	34.636m sqM	51.472m sqM
Linear Excursion (1-way)	Xmax	8.5mm	8.5mm
Mechanical Excursion (Peak-Peak)	Xmech	26mm	29mm
Driver Displacement	Disp	0.0558 cuft	0.122 cuft

MECHANICAL MEASUREMENTS

EW5 10D4



EW5 12D4



CALCULATING ENCLOSURES

It is difficult to give exact box dimensions that are universal for all cars and trucks. It is for this reason that you must be able to calculate the space in which you have available in order to achieve the proper air volume required.

It is recommended to build your enclosure from 3/4" thick MDF (medium density fiberboard). Make sure the enclosure is sealed airtight.

Calculating External Volume

To calculate box volume, measure the outside Width x Height x Depth of the enclosure. *Example 12" x 14" x 9" = 1512 ÷ 1728" Cubic feet*

Next you must convert cubic inches into cubic feet. To do this, you must divide the cubic inches total by 1728". *Example 1512 ÷ 1728 = .875 Cubic feet*

Calculating Internal Volume

To calculate the internal (net) volume of the above box you must first multiply the thickness of the wood you are using by Two(2). *Example 3/4" x 2 = 1.5"*

Next subtract 1.5 from each of the outside measurements of the box.

<i>Width</i>	<i>Height</i>	<i>Depth</i>
$12 - 1.5 = 10.5$	$14 - 1.5 = 12.5$	$9 - 1.5 = 7.5$

Multiple the new totals (H x W x D) *Example: 10.5 x 12.5 x 7.5 = .5696*

Next you must convert cubic inches into cubic feet. To do this, you must divide the cubic inch total by 1728". *Example 984.375 ÷ 1728 = .5696 cubic feet.*

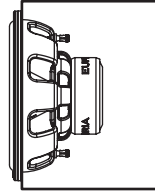
RECOMMENDED ENCLOSURES

EW5 10D4

Sealed Box Range

.75 - 1.5 cuft

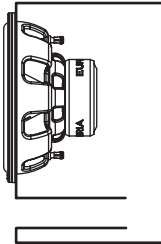
Recommended Sealed Box	1.15 cuft
External Box Dimensions	18" W x 13" H x 12" D
Gross Internal Volume	1.15 cuft
Net Internal Volume	1.1 cuft



Vented Box Range

1.25 - 1.75 cuft

Recommended Vented Box	1.31 cuft
External Box Dimensions	12.75" H x 19" W x 13" D
Gross Internal Volume	1.31 cuft
Net Internal Volume	1.22 cuft
Vent dimensions	3" Diameter
Vent surface area	3.14 in ²
vent length	9"
vent tuning	37Hz

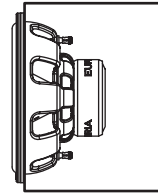


EW5 12D4

Sealed Box Range

1.25 - 1.75 cuft

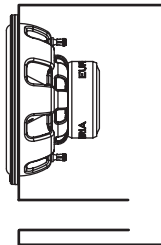
Recommended Sealed Box	1.3 cuft
External Box Dimensions	16" W x 14" H x 14" D
Gross Internal Volume	1.3 cuft
Net Internal Volume	1.2 cuft



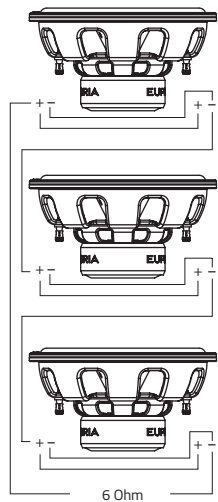
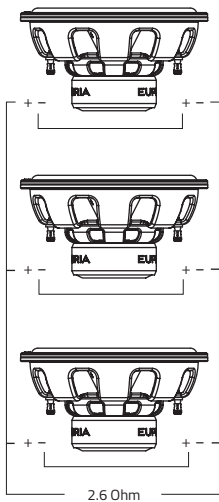
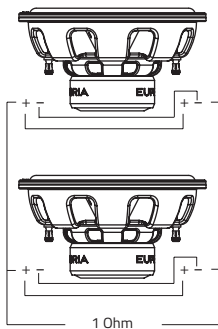
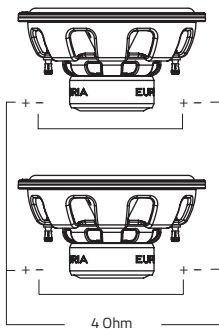
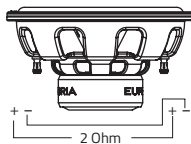
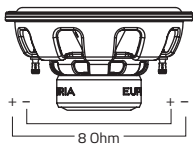
Vented Box Range

1.50 - 2 cuft

Recommended Vented Box	1.58 cuft
External Box Dimensions	19" W x 14" H x 14" D
Gross Internal Volume	1.58 cuft
Net Internal Volume	1.37 cuft
Vent dimensions	2 x 4" Diameter
Vent surface area	12.57 in ²
vent length	14"
vent tuning	38Hz



WIRING DIAGRAMS



LIMITED WARRANTY

DB Drive warrants any products purchased in the U.S.A. from an authorized DB Drive dealer. All products are warranted to be free from defects in material and workmanship under normal use and service for a period of one (1) year. This warranty applies to the original purchase only.

DB Drive will either repair or replace (as its option) any unit that has been found to be defective and under warranty provided the defect occurs within the one (1) year warranty period.

This limited warranty does not extend to units have been subjected to misuse, abuse, neglect, or accident. In DB Drive's judgment, products that show evidence of having been altered, modified, or serviced without DB Drive's authorization, will be ineligible under this warranty.

To obtain warranty service please contact your retailer or visit our website at www.dbdrive.net for more details.



302 Hanmore Industrial Parkway Harlingen, TX 78550
Phone (877) 787-0101 : Fax (956) 421-4513 : www.DBDrive.net