

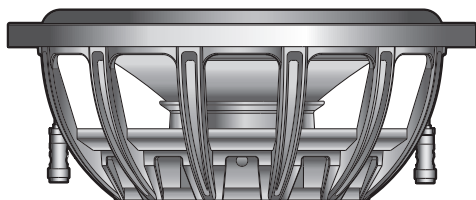
EUPHORIA™

XPERT™
NEODYMIUM SERIES

EXFW10NCF

EXFW12NCF

Shallow Mount Neo Carbon Subwoofer



USER MANUAL

■ Introduction

Congratulations on your purchase of a **Euphoria™** state-of-the-art subwoofer. Your selection of a **Euphoria™ Car Audio** product indicates a true appreciation of fine musical reproduction. Whether adding to an existing system or including your **Euphoria™ Subwoofer** in a new system, you are certain to notice immediate performance benefits.

■ Product Commitment

DB's engineering professionals harnessed years of expertise, experience and passion, coupled with exhaustive testing and creative design to develop the optimal product and performance for your musical enjoyment. This is our commitment to you. It's what you deserve and have come to expect from **Euphoria™**. We appreciate the confidence and look forward to your positive experience.

■ Keep Your Sales Receipt

Take this time to attach your sales receipt to the manual and put in a safe place. In case of any unforeseen reason this product may need warranty service, your receipt will be necessary to establish purchase date.

■ Recommendation

A powered subwoofer's performance is only as good as its installation. Proper installation will maximize the system's overall performance. It is recommended that you have our product installed by an authorized **Euphoria™** retailer. However, if you decide to install it yourself, please carefully read through this manual and take your time to do a quality installation.

■ Optimal Product Choice

To get the Maximum performance out of your stereo system, we recommend using 100% authentic **Euphoria™** electronics and DB LINK wiring and accessories. Matching Euphoria amplifiers and speakers with your state-of-the-art electronics purchase is critical to optimize your system's performance. Wiring is the lifeblood of a system, make sure your audio system has the adequate current and signal transfer it deserves and needs. DB Link has it all, from wiring rolls; speaker, power, ground and remote to amplifier kits, RCAs and fuse holders, distribution blocks and battery connectors. Insist on getting the best, DB LINK. It's what you deserve to get the optimum performance from your audio system.

IMPORTANT!

Before making any connections, disconnect the car's battery until the installation is completed to avoid possible damage to the electrical system.

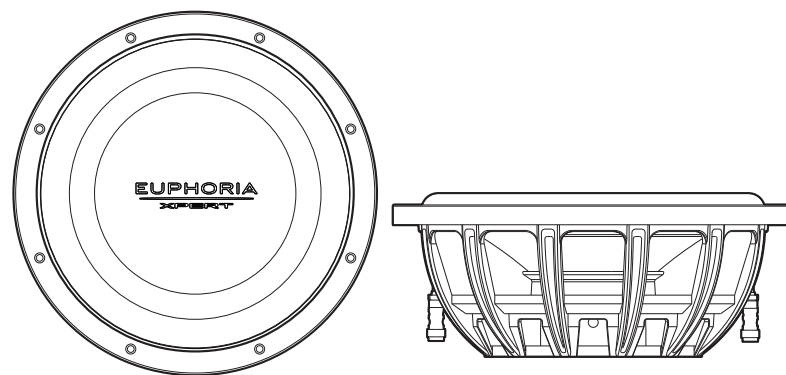
WARNING!

Exposure to a high power sound system can cause hearing loss or damage. Listening to your system at loud levels while driving will impair your ability to hear traffic sounds and emergency vehicles. Use common sense when listening to your system.

Serial # _____ Model # _____

PRODUCT FEATURES

- 2.5" Voice Coil
- Die-Cast Aluminum Basket with Radial Venting
- Large Gauge Compression Terminals
- Rubber Surround
- Carbon Fiber Cone
- Neodymium Magnet
- Weather Resistant Cone and Surround
- PVC Gasket
- Dual 4Ω 4 Layer Voice Coil



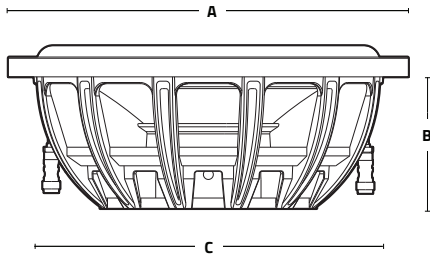
MODEL	STRUCTURE	MAX POWER	NOMINAL POWER	IMPEDANCE
EXFW10NCF	10" / 254mm	1000 Watts	400 Watts	3.6 Ω + 3.6Ω
EXFW12NCF	12" / 304.8mm	1200 Watts	500 Watts	3.6 Ω + 3.6Ω

PRODUCT SPECIFICATIONS

MODEL	FS	RE	QMS	QES	QTS	VAS	CMS	BL	MMS	SPL	X-MAX
EXFW10NCF	35.813Hz	7.2Ω	2.175	0.362	0.310	13.109m	84.744 mm/N	32.287 N/A	233.048 g	84.1 dB	10mm
EXFW12NCF	33.791Hz	7.2Ω	1.598	0.431	0.340	30.706m	82.905 mm/N	30.800 N/A	267.589 g	86.3 dB	10mm

PRODUCT DIMENSIONS

- A** Frame Diameter
- B** Mounting Depth
- C** Cutout Diameter



MODEL	A FRAME DIAMETER	B MOUNTING DEPTH	C CUTOUT DIAMETER
EXFW10NCF	10.83 in/ 275 mm	3.54 in/ 89.80 mm	9.32 in/ 236.79 mm
EXFW12NCF	12.72 in/ 323 mm	4.19 in/ 106.30 mm	11.5 in/ 292 mm

RECOMMENDED ENCLOSURE

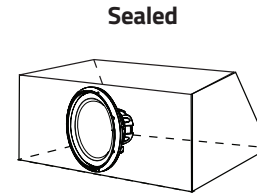
The purpose of the information below is to help you select the most appropriate type of enclosure for your application. We have selected the two most popular enclosure types and their performance benefits.

Sealed Enclosure (Air-Suspension design): Characteristically simpler to make, sealed enclosures usually are better at controlling the woofer's excursion and performance at lower frequencies. The added control allows for higher power handling or use of a bigger amplifier. The secret is to maintain a perfect seal. Using Glues and sealants at all seams is recommended to prevent leaks and integrity of the enclosure. The size or volume of the enclosure will directly affect the performance of the woofer. Smaller enclosures generally provide the desired bump to the frequency response curb and Greater SPL. Larger enclosures will provide a lower but flatter response for deeper bass. In general, the benefit to the sealed enclosure versus a ported enclosure is a smaller foot print, simpler build with higher power handling, a more linear flat response, superior sound quality and extended low frequency output.

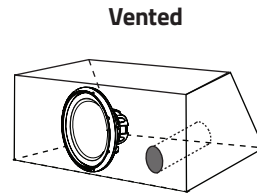
Ported Enclosure (Bass-Reflex or Vented): A ported enclosure is simply a sealed enclosure with a port or vent added to the sealed design for the purpose of tuning the enclosure to higher output at the desired tuned frequency, typically 3db or higher. Another advantage of a ported enclosure is the reduction of cone motion for the speaker, thus distortion at higher power levels within the tuned frequency response of the port. A drawback is that building a ported enclosure is more complex than sealed. Having the wrong port or vent could result in poor sound, and the potential of damaging a woofer when played too loud or out of the tuning frequency. Thus we recommend not guessing, please follow the guidelines listed in this manual or go to a professional. In General, the benefit of a ported enclosure versus a sealed is higher volume output at the tuned frequency, stronger bass output with lower power input.

Construction: We recommend using $\frac{3}{4}$ " MDF (Medium Density Fiberboard) for the construction of an enclosure. It is critical for the side walls of the enclosure not to flex due to the pressure generated by the woofer, bracing might be required. The enclosure sides should be secured together with nails/screwed. We also recommend the use of glues and sealants to maintain the integrity of the enclosure and eliminate leaks.

RECOMMENDED ENCLOSURE



Sealed



Vented

ENCLOSURES	EXFW10NCF	EXFW12NCF
Woofer Cutout	9.32 in. (236.79 mm)	11.5 in. (292mm)
Mounting Depth	3.54 in. (89.90 mm)	4.19 in. (106.30mm)
Sealed Box	0.55 cuft. (15.57 L)	0.92 cuft. (26.05 L)
Vented Box	0.67 cuft. (18.97 L)	1.10 cuft. (31.14 L)
▪ Vent Area	7.06 sq in (45.54 cm2)	9.62 sq in (62.06 cm2)
▪ Vent Length	24 in. (60.96 cm)	18 in. (45.72 cm)
▪ Tuning	39Hz	39Hz
Dynamic Power	1000 Watts	1200 Watts
Nominal Power	400 Watts	500 Watts

CALCULATING ENCLOSURES

- **It is difficult to give exact box dimensions that are universal for all cars and trucks. It is for this reason that you must be able to calculate the space in which you have available in order to achieve the proper air volume required.**

It is recommended to build your enclosure from $\frac{3}{4}$ " thick MDF (medium density fiberboard). Make sure the enclosure is sealed airtight.

- **Calculating External Volume**

To calculate box volume, measure the outside Width x Height x Depth of the enclosure. **Example 12" x 14" x 9"=1512**

Next you must convert cubic inches into cubic feet. To do this, you must divide the cubic inches total by 1728". *Example 1512 ÷ 1728=.875 Cubic feet*

- **Calculating Internal Volume**

To calculate the internal (net) volume of the above box you must first multiply the thickness of the wood you are using by Two(2). *Example $\frac{3}{4}$ " x 2= 1.5"*

Next subtract 1.5 from each of the outside measurements of the box.

Width	Height	Depth
12 - 1.5 = 10.5	14 - 1.5 = 12.5	9 - 1.5 = 7.5

- **Multiply the new totals (H x W x D) Example: 10.5 x 12.5 x 7.5 = 984.375** Next you must convert cubic inches into cubic feet. To do this, you must divide the cubic inch total by 1728". *Example 984.375 ÷ 1728=.5696 cubic feet.*

LIMITED WARRANTY

Euphoria™ warrants any products purchased in the U.S.A. from an authorized **Euphoria™** dealer.

All products are warranted to be free from defects in material and workmanship under normal use and service for a period of **two (2) years**.

This warranty applies to the ***original purchase only***.

Euphoria™ will either repair or replace (as its option) any unit that has been found to be defective and under warranty provided the defect occurs within the **two (2) years warranty period**.

This limited warranty does not extend to units have been subjected to misuse, abuse, neglect, or accident. In **Euphoria™**'s judgment, products that show evidence of having been altered, modified, or serviced without **Euphoria™** authorization, will be ineligible under this warranty.

To obtain warranty service please contact your retailer or visit our website at ***www.euphoriacaraudio.com*** for more details.



DB Research L.L.P. ■ 302 Hanmore Industrial Parkway ■ Harlingen, TX 78550
Ph: (877) 787-0101 ■ Fax: (956) 421-4513 ■ tech support: support@dbdrive.net

Euphoria is a Registered Trademark of DB Research L.L.P.

Designed and Engineered in the U.S.A.  Made in China